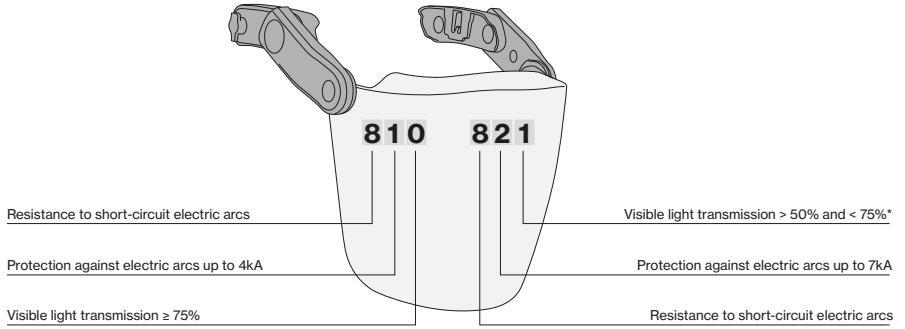
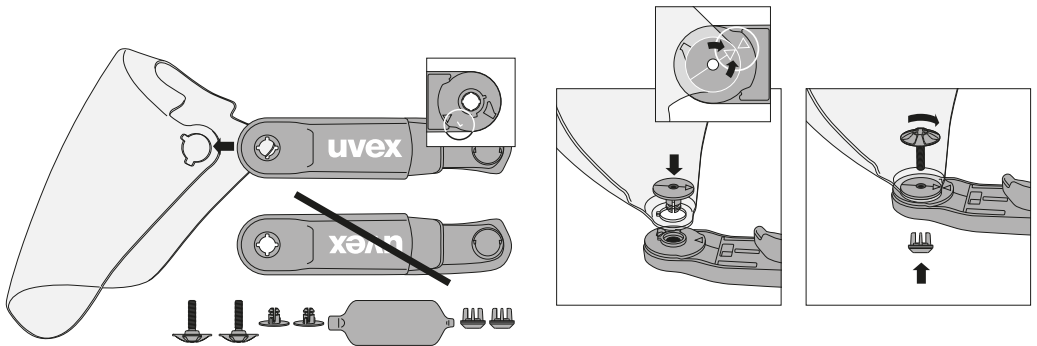


Marking acc. to GS-ET 29

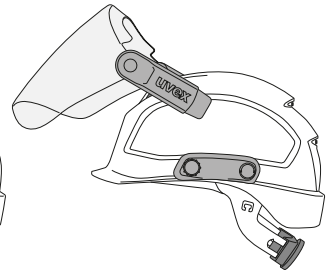
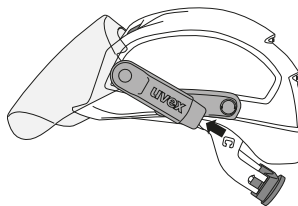
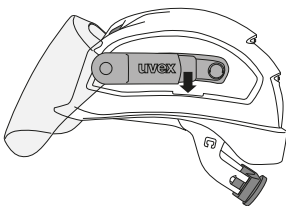


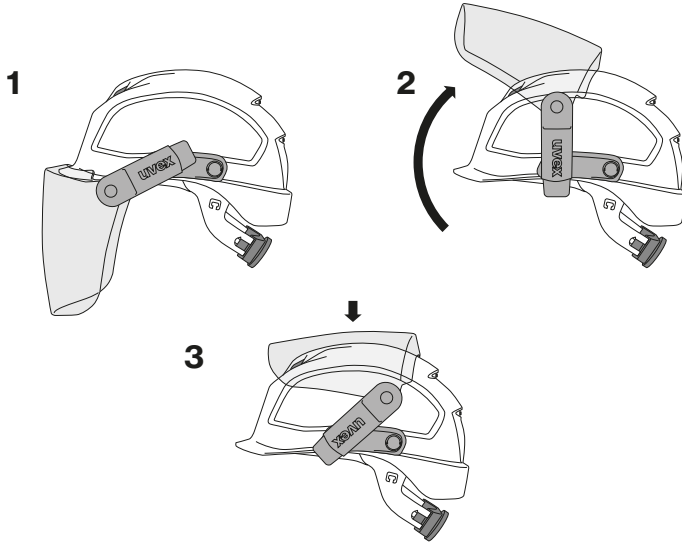
* It is obligatory to use an additional illumination, to reach a minimum illuminance of 30 lux behind the faceshield.

Assembling



magnetic





Dismantling

